

RRT208 Adjustable Toilet Seat Raiser

SET - UP A N D O P E R A T I O N

Designed to assist with toilet transfers, this adjustable toilet seat raiser attaches to existing toilet seat mounting points.

Can be used with or without armrests (one or both).
Seat height can be adjusted to 50 mm, 100 mm or 150 mm.



- ⚠️ Prior to use please read all instructions
- ⚠️ Unit must be correctly mounted to an existing toilet bowl before use

Installation

Remove your existing toilet seat from the bowl. Seats are generally attached by a pair of bolts/nuts located under the rear rim of the toilet.

Unscrew and remove the long plastic nuts from the rear of the toilet seat raiser.



Position the unit onto your toilet bowl, inserting the rear mounting bolts through the existing holes on your toilet.

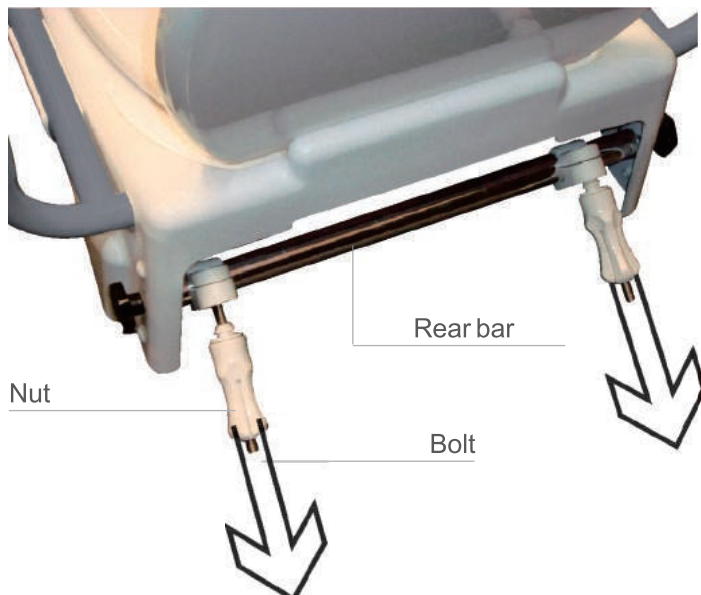
Ensure the unit is centred over the toilet bowl.



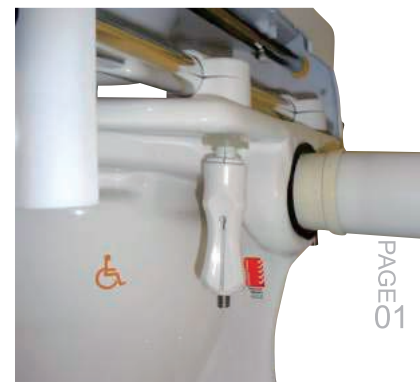
The position of the mounting bolts can be adjusted to match different toilets. To adjust, slide the mounting bolts along the rear bar to achieve the correct distance.

Mounting nuts must be loose for mounting bolts to slide freely along the bar.

Reattach both long plastic nuts to the mounting bolts and tighten firmly.



Check the toilet seat raiser is firmly clamped against the toilet bowl before use.



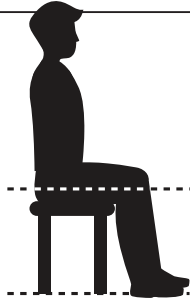
Adjusting seat height

The toilet seat raiser can be adjusted to 3 different height settings, adding 50, 100 or 150 mm to the height of the toilet bowl. Height can be adjusted either before or after installation.

⚠ When adjusting after the toilet seat raiser is installed, be careful not to drop components into the toilet.

⚠ Ideal seat height

Ideal height is when the user's feet can completely touch the floor, and the hip height is higher than knee height (ie less than 90 degrees on the knee joint or hip joint)



Seat height is adjusted by setting both front and rear bars to 1 of 3 positions, as dictated by a set of 3 height adjustment holes.

For 50 mm height, set bars to top hole.

For 100 mm height, set bars to middle hole.

For 150 mm height, set bars to bottom hole.



To reposition the bars, remove the bolt protector caps from each side of the toilet seat raiser (front and rear).

Bolt protector



Flip up the toilet seat for easy access to the bars.

Using the inbuilt adjustment knob, undo the front bolt and remove. Repeat on the opposite side, holding the bar to prevent it falling.



Reposition the bar to the desired height. Holding the bar in place, reinsert the adjustment knob on both sides and tighten until firm.

The rear bar is adjusted in the same way, using the inbuilt adjustment knob to remove side bolts. This adjustment can be used to adjust the rear height setting to facilitate a forward angled tilt for users requiring extra assistance when standing (rear bar lower than front bar).

When adjustment is complete, replace all bolt protector caps.

⚠ Do not position the front bar higher than the rear bar, as this will create a rearward tilt that may cause injury to the user.

Inserting armrests

The toilet seat raiser can be used with or without armrests. One or both armrests can be used to suit individual users and/or bathroom set up. A brass locking button is used to secure each armrest.

To insert the armrests, press in the locking button located under the frame of the armrest and slide the armrest into the arm hole at the side of the toilet seat. Check the armrest is stable and secure before use.



Using the toilet seat raiser

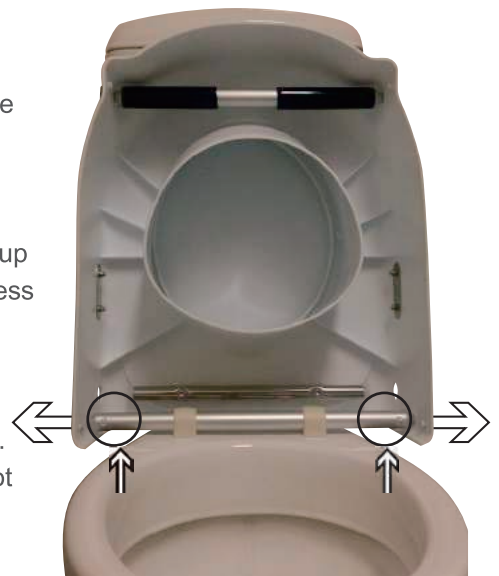
The toilet seat raiser operates just like a standard toilet seat. The seat may be flipped up so the bowl can be accessed without the seat.



Armrests may be swung up and out of the way for increased access. Pull gently upwards to unclip the armrest, and swing upwards until vertical.



Armrests may also be removed completely for ease of transfer or cleaning. Swing armrests up and flip up the toilet seat to access the armrest locking button. Press the locking button in and pull the armrests out. Store safely when not in use.



Regular maintenance

Regularly check the mounting screws are tight and that the toilet seat raiser is firmly clamped to the toilet bowl.

Regularly check the toilet seat raiser for damage and wear, paying special attention to the condition of the seat and the mounting attachment. Do not use the toilet seat raiser if the plastic seat is cracked or deformed in any way or if you see evidence of any other damage or general wear.

Care & cleaning

To clean the unit after each use, wipe with a mild soap and warm water solution and rinse well. Dry with a clean cloth.

For heavier soiling, wipe clean with a diluted bleach solution and rinse well before drying.

Do not use water temperatures in excess of 80°C.

Do not use high pressure cleaners, steam cleaners or harsh, abrasive cleaning agents or utensils (such as a wire brush) as these can lead to deterioration of the unit.

Warranty

All products have a warranty for parts & labour for a period of 1 year from date of purchase unless otherwise specified.

This warranty is for normal domestic use only and excludes any defect or injury caused by or resulting from misuse, abuse, neglect, accidental damage, improper voltages, vermin infestation, or any other alteration that affects the reliability or performance of the unit, not attribute to faulty manufacture, part or labour.

Specifications

CAPACITY	136 kg
ADJUSTABLE HEIGHTS	150 mm
	100 mm
	50 mm
PRODUCT WEIGHT	3.8 kg (net)

